

## *MOSFET BASED DC SOLID-STATE RELAY*

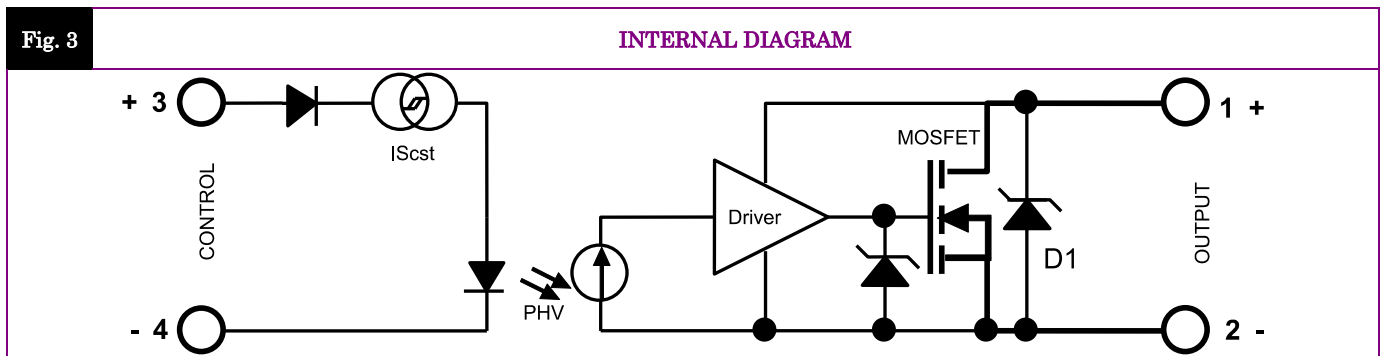
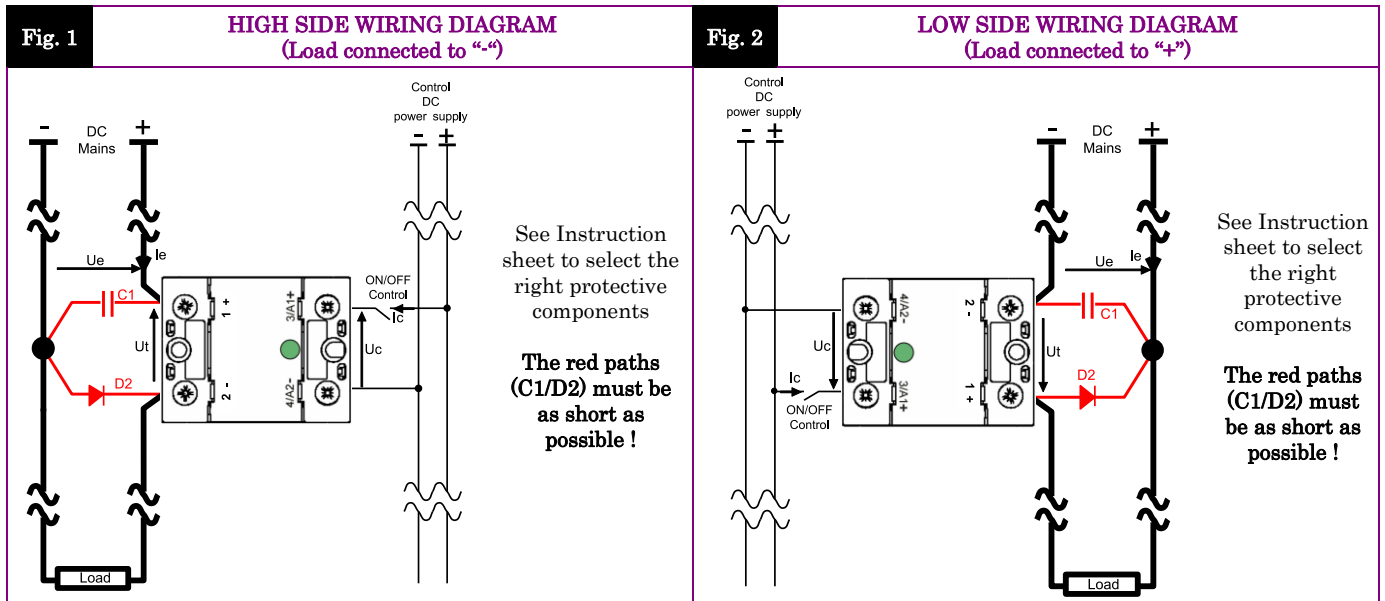
- ▶ Latest MOSFET technology generation.
- ▶ Ultra low on-state resistance.
- ▶ Low output leakage current.
- ▶ Low control current consumption.
- ▶ Built-in overvoltage protection
- ▶ Reverse protected triggered control input to avoid linear control risks
- ▶ No radiated or conducted disturbances
- ▶ Touch protected housing IP20



SOM020100

Control voltage range	<b>3.5-32VDC</b>
Max. permanent output voltage	<b>60VDC</b>
Max. load current with heatsink	<b>20ADC</b>

Load voltage range	Load current range	Control input voltage range	In & case / Out Insulation	Connexions	Dimensions (WxHxD)	Weight
5-60VDC	Up to 20A (with heatsink)	3.5-32VDC	2.5kV	Screw terminals	45 x 58.5 x 30	80g



Proud to serve you

**CONTROL INPUT CHARACTERISTICS**

INPUT CIRCUIT	CHARACTERISTIC	LABEL	VALUE	INFO.
	Nom. Control voltage	<b>Ucnom</b>	12-24VDC	
	Min. Control current	<b>Icmin</b>	35mADC	-100µA/°C
	Control voltage range	<b>Uc</b>	3.5 – 32VDC	typical ON=3.3V
	Control current consumption	<b>Ic</b>	32 – 35mADC (for control voltage range)	<b>See fig. 5</b>
	Releasing control voltage	<b>Ucoffmax</b>	1VDC	typical OFF= 2.6V
	Max. reverse control voltage	<b>-Ucmax</b>	32VDC	-Icmax<100µA
	Input impedance	<b>Rin</b>	Current limitation	<b>See fig. 5</b>

**POWER OUTPUT CHARACTERISTICS**

POWER CIRCUIT	CHARACTERISTIC	LABEL	VALUE	INFO.	
	Nominal voltage	<b>Uenom</b>	<b>48VDC</b>		
	Voltage range	<b>Ut</b>   <b>Ue</b>	<b>5-60VDC</b>		
	Non-repetitive peak voltage	<b>Utp</b>	100V		
	Overvoltage protection	<b>D1</b>	Transient voltage suppressor 56V (1500W/1ms)		
	Max reverse voltage drop (internal diode at OFF state)	<b>-Ut</b>	1.3V	@Ie=50A @Uc=0	
	Maximum nominal currents	<b>Ie max</b>	<b>Resistive</b> 20A	<b>Motor</b> Please contact us	<b>See fig. 7 (limits)</b>
	Non-repetitive peak overload current	<b>Id max</b>	200A		<b>See fig. 8</b>
	Min. load current	<b>Iemin</b>	5mA		
	Max. leakage current	<b>Ielk max</b>	3mA		@Utmax @Tjmax
	Max. on-state resistance	<b>RDson</b>	56mΩ		@Iemax @Tjmax
	Typ. output capacitance	<b>Cout</b>	0.3nF		
	Junction/case thermal resistance per power element	<b>Rthjc</b>	1.4K/W		
	Built-in heatsink thermal resistance vertically mounted	<b>Rthra</b>	10K/W		@ΔTra=75°C
	Heatsink thermal time constant	<b>Tthra</b>	10 minutes		@ΔTra=55°C
	Control inputs/power outputs insulation voltage	<b>Uimp</b>	2.5kV		
	Inputs/case insulation voltage	<b>Uimp</b>	2.5kV		
	Outputs/case insulation voltage	<b>Uimp</b>	2.5kV		
	Isolation resistance	<b>Rio</b>	1GΩ		
	Isolation capacitance	<b>Cio</b>	<8pF		
	Maximum junction temperature	<b>Tjmax</b>	175°C		
	Storage ambient temperature	<b>Tstg</b>	-40->+100°C		
	Operating ambient temperature	<b>Tamb</b>	-25->+90°C		<b>See fig. 7</b>
	Max. case temperature	<b>Tc</b>	100°C		

**PROTECTION CHARACTERISTICS**

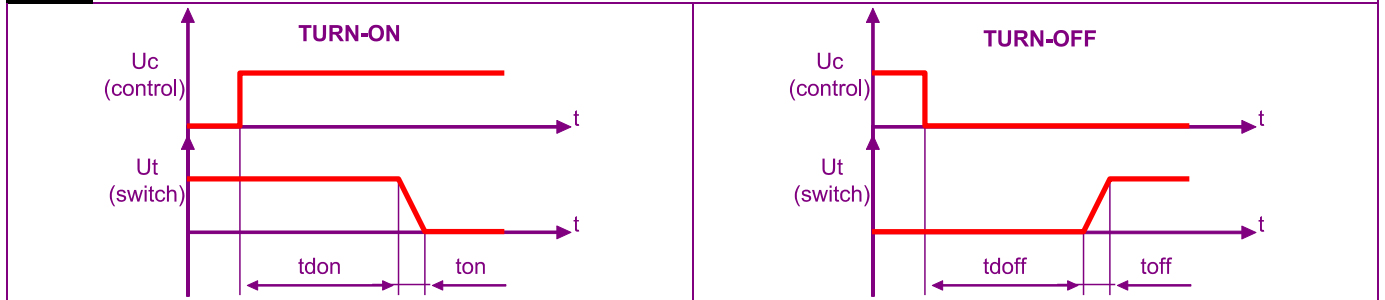
PROTECTION	Leakage current (Ielk) vs DC voltage (Ut)	Absolute limits

**Ielk** : Leakage current of the relay  
**Ie** : User load nominal current  
**Utp** : Relay max. non repetitive peak voltage  
**Utmax** : Max. nominal voltage of the relay  
**Uto** : Possible overvoltage above Utmax  
**Utn = Ue** : User DC power supply voltage  
**t** : Overvoltage duration  
**T** : Time between 2 overvoltage

**TIME CHARACTERISTICS**

Fig. 4

TIME DIAGRAMS



TIME CHARACT.	CHARACTERISTIC	LABEL	VALUE	INFO.
	Turn on time	ton	20µs	
	Turn on delay	tdon	20µs	
	Turn off time	toff	20µs	
	Turn off delay	tdoff	20µs	
Max. On-Off frequency	F <sub>(on-off)</sub>	>1000Hz (for high frequency, take 2 x I <sub>e</sub> to calculate the heatsink; the protections must be chosen carefully)	Refer to the instruction sheet	

**GENERAL INFORMATION**

CONNECT IONS	Connections	Power	Control	
	Screwdriver advised	POZIDRIV2		
	Min and max tightening torque	2 N.m	1.2 N.m	
	Insulated crimp terminals (round tabs, eyelet type)	M5	M4	

MISC.	Display	Green LED (indicates relay has switched ON)		
	Housing	UL94V0		
	Mounting	2 screws (M4x12mm ; tightening = 1.2N.m)		See mounting sheet
	Noise level	None		
	Weight	80g		

**STANDARDS**

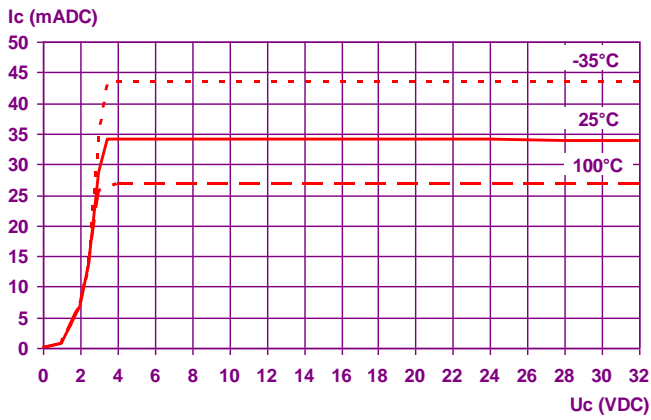
GENERAL	Standards	IEC60947-1		
	Protection level	IP20		
	Protection against direct touch	Yes		
	CE marking	Yes		
	UL, cULUS	Yes		

E.M.C. IMMUNITY	TYPE OF TEST	STANDARD	LEVEL	EFFECT
	Fast transients bursts	EN61000-4-4	4kV criterion B	
	Electric chocks	EN61000-4-5	1kV criterion B	
	Voltage drop	EN61000-4-11	-	

**CHARACTERISTIC CURVES**

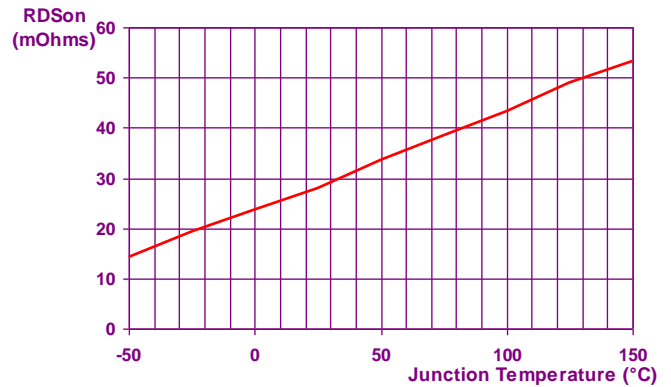
**Fig. 5**

**INPUT CHARACTERISTIC**



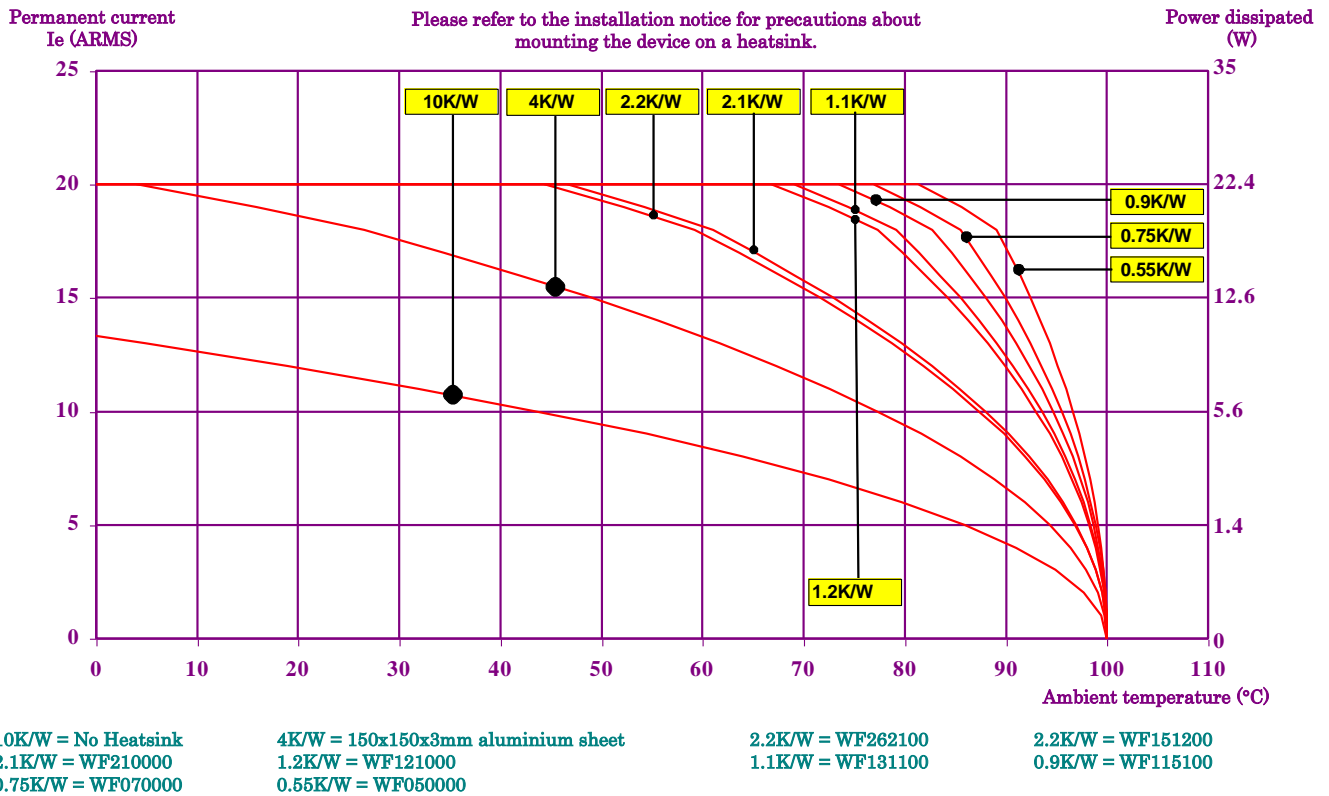
**Fig. 6**

**ON RESISTANCE VS JUNCTION TEMPERATURE**



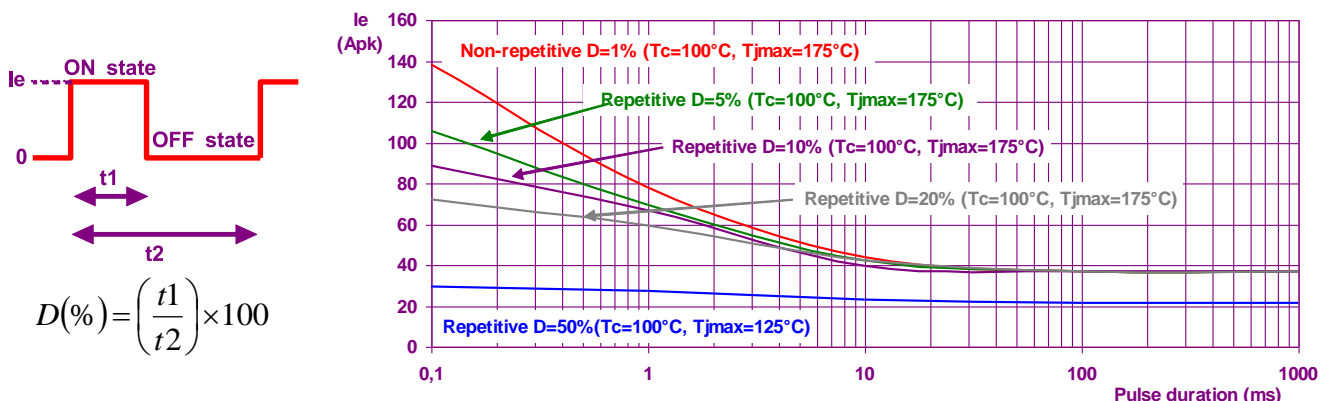
**Fig. 7**

**POWER DISSIPATED AND LOAD CURRENT LIMIT VS TEMPERATURE**



**Fig. 8**

**PEAK OVERLOAD CURRENT vs. PULSE DURATION CHARACTERISTIC**



**DIMENSIONS AND ACCESSORIES**

Fig. 9

DIMENSIONS (mm)

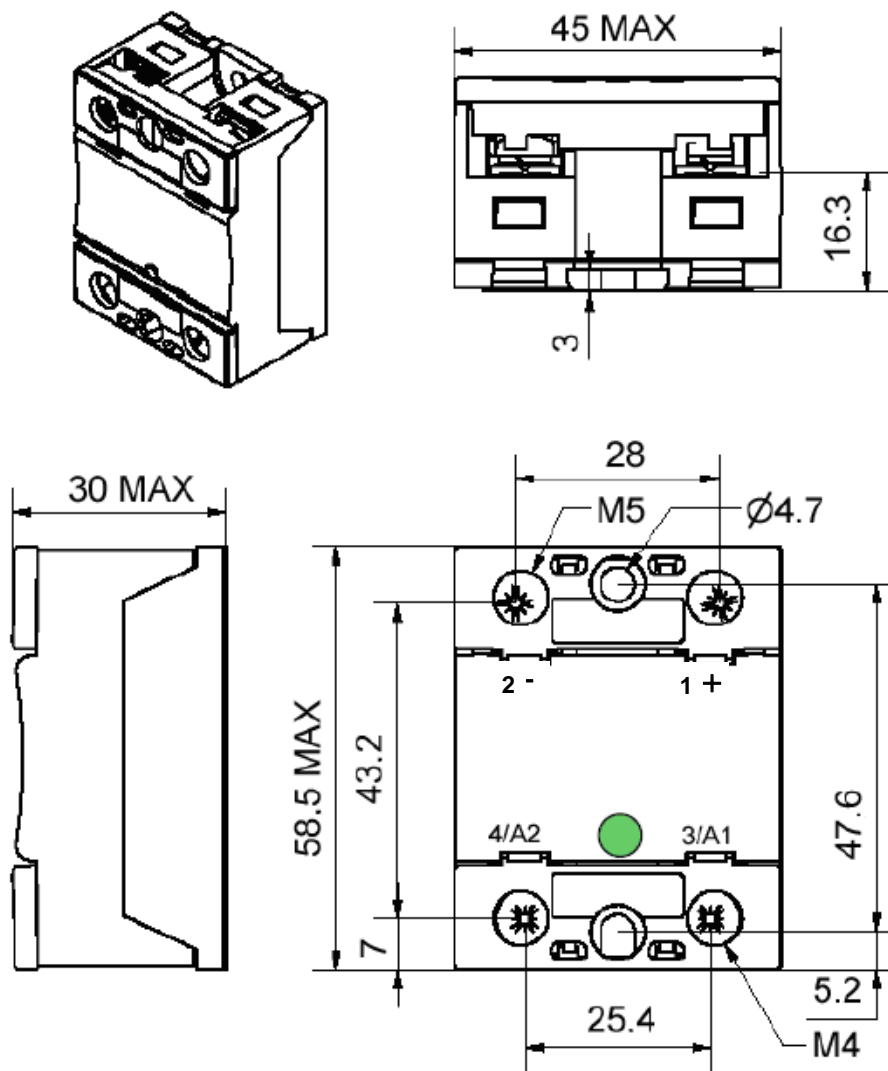


Fig. 10

ACCESSORIES

FASTON : Please contact us

