

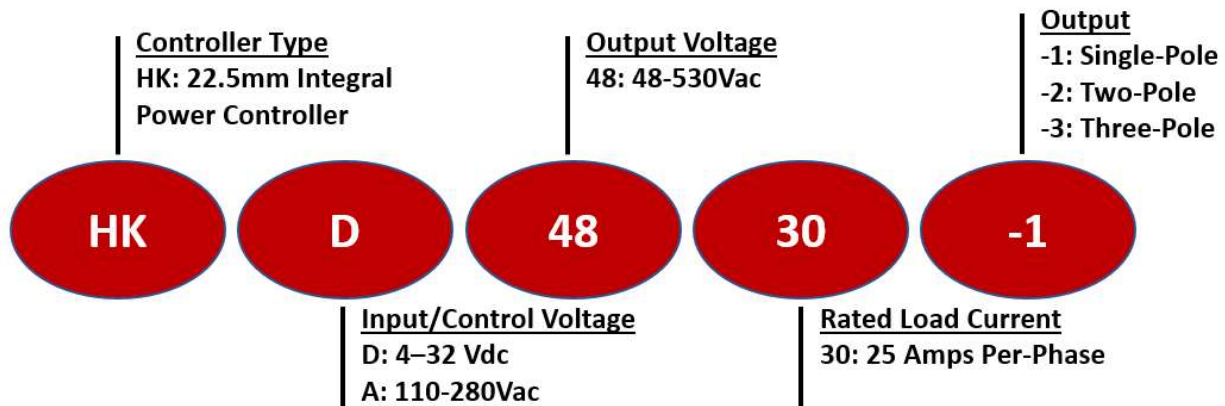
HK Series

25 Amp Solid State Power Controller



- SCR output DIN mount solid-state relay Power Controller
- Single and three-phase output ratings up-to 25 amps @ 40°C ambient temperature
- Integrated, thermally efficient heat sink to maximize overall product life expectancy
- Direct-bond copper (DBC) substrate for superior thermal performance
- Box clamp terminals for bare wire termination
- MTBF > 7 million hours (>800 years)
- IP20 touch-safe housing
- EMC compliant, level 3
- Agency approvals; UL, CSA, VDE/TUV, and CE

Series Nomenclature



Output Specifications

Part Number:	HKx4830-1	HKx4830-2	HKx4830-3
Operating Voltage (Vrms; 47-440Hz)	48-530	48-530	48-530
Load Current Range (Amps RMS)	.15 - 25	.15 - 25	.15 - 25
Transient Overvoltage (Vpk)	1200	1200	1200
Max. Surge Current (A _{pk} ; 50/60Hz)	1145/1200	1145/1200	1145/1200
Max. On-State Voltage Drop (Vrms)	1.15	1.15	1.15
Max I ² T for Fusing (A ² S; 50/60Hz)	6560/5976	6560/5976	6560/5976
Max. Off-State Leakage Current (mA _{rms})	1	1	1
Min. Power Factor with Max. Load	0.5	0.5	0.5



HK Series

25 Amp Solid State Power Controller

Input Specifications

Part Number:	HKDxxxx-x	HKAxxxx-x
Control Voltage Range	4-32Vdc	100-280Vac
Minimum Turn-On Voltage	4Vdc	110Vac
Must Turn-Off Voltage	1Vdc	10Vrms
Input Current Range (mA)	8 - 12	3 - 7
Nominal Input Impedance	Current Regulated	
Maximum Turn-On / Turn-Off Time (msec)	½ AC Cycle	10 / 40

General Specifications

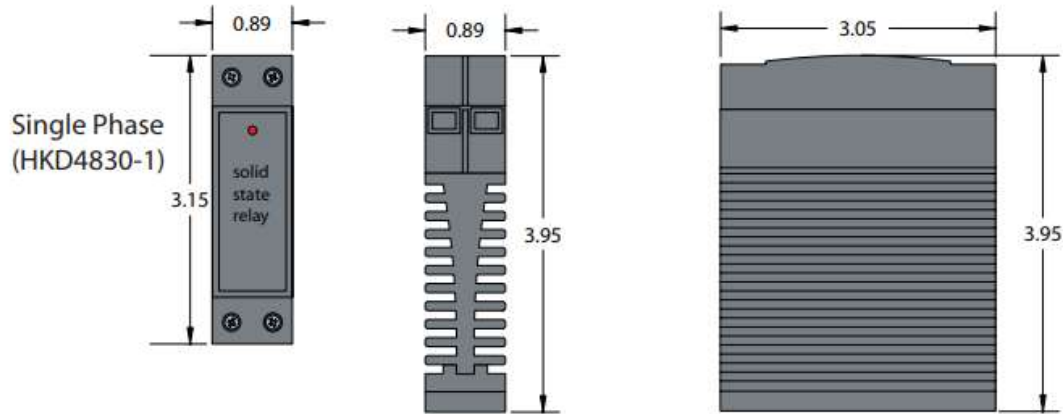
Description	Specification
Dielectric Strength (Input/Output/Heat Sink)	4,000 Vrms
Ambient Operating Temperature Range	-40 - +80 °C
Weight	-1 Single-Pole; 0.63 lbs (280 g)
	-2 Two-Pole; 1.35 lbs (612 g)
	-3 Three-Pole; 1.98 lbs (898 g)
Solid State Relay Housing Material	UL94 V-0 Polymers
Heat Sink Material	Aluminum
Input Terminal Screw Torque Range (in-lb/Nm)	5-6 / 0.6 - 0.7
Load Terminal Screw Torque Range (in-lb/Nm)	10-15 / 1.1 - 1.7
Maximum Wire Size	Output: AWG 10 (3mm) / Input: AWG 12 (2.5mm)
MTBF (Mean Time Between Failures) @ 40°C ambient	~11 Million Hours (>1,300 years)
MTBF (Mean Time Between Failures) @ 60°C ambient	~7 Million Hours (>800 years)

Available Options

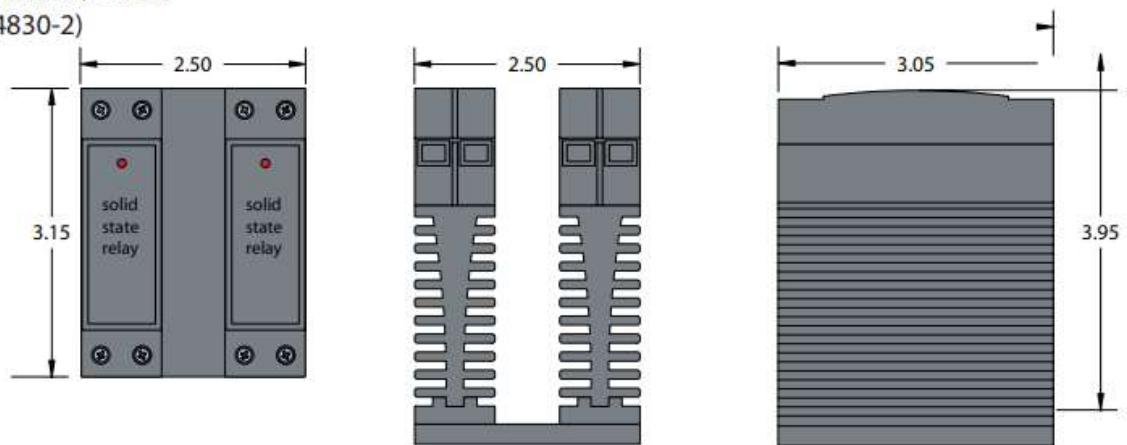
- 10 Random/Instantaneous turn-on (inductive or phase-control applications)
- P Internal TVS overvoltage protection
- E 24Vac control voltage (AC input only)
- WH Wiring harness for multiple pole configurations

HK Series

25 Amp Solid State Power Controller



Three Phase / 2 Pole
(HKD4830-2)



Three Phase / 3 Pole
(HKD4830-3)

