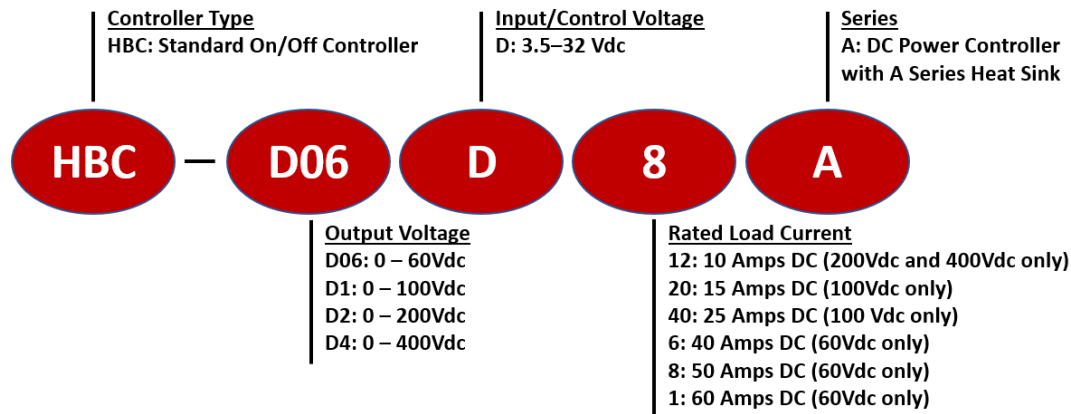


DxD Series MOSFET Output 60 Amp DC Solid State Power Controller



- MOSFET output DIN mount solid-state relay Power Controller
- Output ratings up-to 60 amps DC @ 40°C ambient temperature
- Thermally efficient heat sink to maximize overall product life expectancy
- Low impedance MOSFET output for superior thermal performance
- Epoxy free design eliminates stress on internal components due to epoxy expansion and contraction
- MTBF > 11 million hours (>1,300 years)
- Touch-safe cover
- EMC compliant, level 3
- Solid-state relay approvals include VDE/TÜV and CE

Series Nomenclature



Output Specifications

Part Number: HBC -	D2D12A	D4D12A	D1D20A	D1D40A	D06D6A	D06D8A	D06D1A
Crydom Solid-State Relay Utilized*	D2D12	D4D12	D1D20	D1D40	D06D60	D06D80	D06D100
Operating Voltage (Vdc)	0-200	0-400	0-100	0-100	0-60	0-60	0-60
Load Current Range (Amps DC)	.01 - 10	.01 – 10	.01 – 15	.01 – 25	.01 – 40	.01 – 50	.01 – 60
Maximum Off-State Voltage (Vdc)	200	400	100	100	60	60	60
Max. Surge Current (10msec)	31	36	42	106	180	220	270
Max. On-State Voltage Drop (Vdc)	0.7	2.6	0.8	1.0	0.6	0.7	0.5
Max On-State Resistance (Ohms)	0.06	0.22	0.04	0.03	0.01	0.008	0.005
Max. Off-State Leakage (mA)	0.3	0.3	0.3	0.3	0.1	0.1	0.1
Max. Pulse-Width Modulation (Hz)	2000	900	3500	2500	1000	900	700

*UL Recognized Components - E116949



DxD Series MOSFET Output 60 Amp DC Solid State Power Controller

Input Specifications

Part Number:	All Models
Control Voltage Range	3.5-32Vdc
Minimum Turn-On Voltage	3.5Vdc
Must Turn-Off Voltage	1Vdc
Input Current Range (mA)	10 – 15
Nominal Input Impedance	Current Regulated
Maximum Turn-On / Turn-Off Time (µsec)	100 / 150

General Specifications

Description	Specification
Dielectric Strength (Input/Output/Heat Sink)	3,750 V
Ambient Operating Temperature Range	-40 to +80 °C
Weight	0.75 lbs (340 g)
Solid State Relay Housing Material	UL94 V-0 Polymers
Heat Sink Material	Aluminum
Input Terminal Screw Torque Range (in-lb/Nm)	13-15 /1.5-1.7
Load Terminal Screw Torque Range (in-lb/Nm)	18-20 / 2.0-2.2
MTBF (Mean Time Between Failures) @ 40°C ambient	~21 Million Hours (>2,400 years)
MTBF (Mean Time Between Failures) @ 60°C ambient	~11 Million Hours (>1,300 years)

Available Options (Suffix at end of part number)

- TP Through-panel mounting
- PM Panel mounting
- ND Without DIN rail clip
- 2 Two-pole configuration (for three-phase loads)
- 3 Three-pole configuration (for three-phase loads)
- WH Wiring harness for multiple pole configurations

DxD Series MOSFET Output 60 Amp DC Solid State Power Controller

