

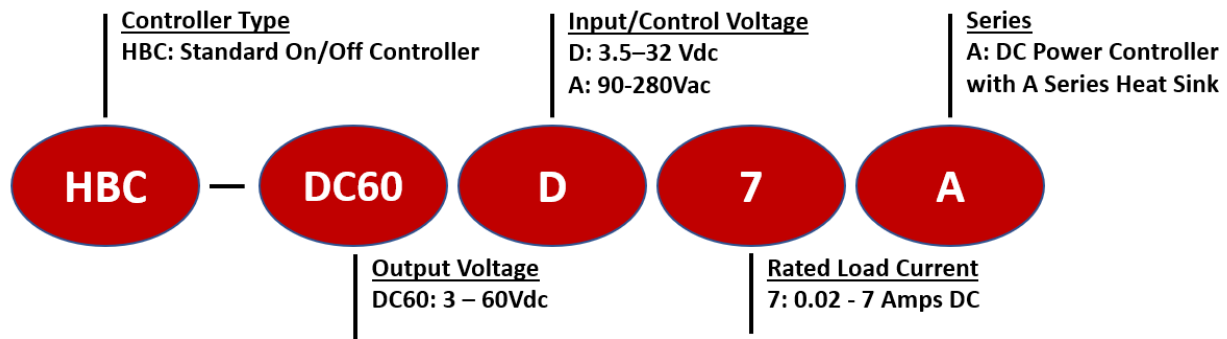
DC Series BJT Output

7 Amp DC Solid State Power Controller



- Bipolar transistor output DIN mount solid-state relay Power Controller
- Output ratings; 7 amps DC @ 40°C ambient temperature
- Thermally efficient heat sink to maximize overall product life expectancy
- Epoxy free design eliminates stress on internal components due to epoxy expansion and contraction
- MTBF > 11 million hours (>1,300 years)
- Touch-safe cover
- Solid-state relay approvals include VDE/TÜV and CE

Series Nomenclature



Output Specifications

Part Number:	HBC-DC60x7A
Crydom Solid-State Relay Utilized*	DC60S7
Operating Voltage (Vdc)	0-60
Load Current Range (Amps DC)	.02 – 7
Maximum Off-State Voltage (Vdc)	60
Max. Surge Current (10msec)	14
Max. On-State Voltage Drop (Vdc)	1.3
Max. Off-State Leakage (mA)	0.1

*UL Recognized Components - E116949



DC Series BJT Output 7 Amp DC Solid State Power Controller

Input Specifications

Part Number:	HBC-DC60D7A	HBC-D60A7A
Control Voltage Range	3.5-32Vdc	90-280Vac/Vdc
Minimum Turn-On Voltage	3.5Vdc	90Vac/Vdc
Must Turn-Off Voltage	1Vdc	10Vac/Vdc
Input Current Range (mA)	2.2 – 25	2 - 5
Nominal Input Impedance (Ohms)	1500	60k
Maximum Turn-On / Turn-Off Time (msec)	0.1 / 0.3	10 / 40

General Specifications

Description	Specification
Dielectric Strength (Input/Output/Heat Sink)	4,000 V
Ambient Operating Temperature Range	-40 to +80 °C
Weight	0.75 lbs (340 g)
Solid State Relay Housing Material	UL94 V-0 Polymers
Heat Sink Material	Aluminum
Input Terminal Screw Torque Range (in-lb/Nm)	13-15 /1.5-1.7
Load Terminal Screw Torque Range (in-lb/Nm)	18-20 / 2.0-2.2
MTBF (Mean Time Between Failures) @ 40°C ambient	~21 Million Hours (>2,400 years)
MTBF (Mean Time Between Failures) @ 60°C ambient	~11 Million Hours (>1,300 years)

Available Options (Suffix at end of part number)

- TP Through-panel mounting
- PM Panel mounting
- ND Without DIN rail clip
- 2 Two-pole configuration (for three-phase loads)
- 3 Three-pole configuration (for three-phase loads)
- WH Wiring harness for multiple pole configurations

DC Series BJT Output

7 Amp DC Solid State Power Controller

